

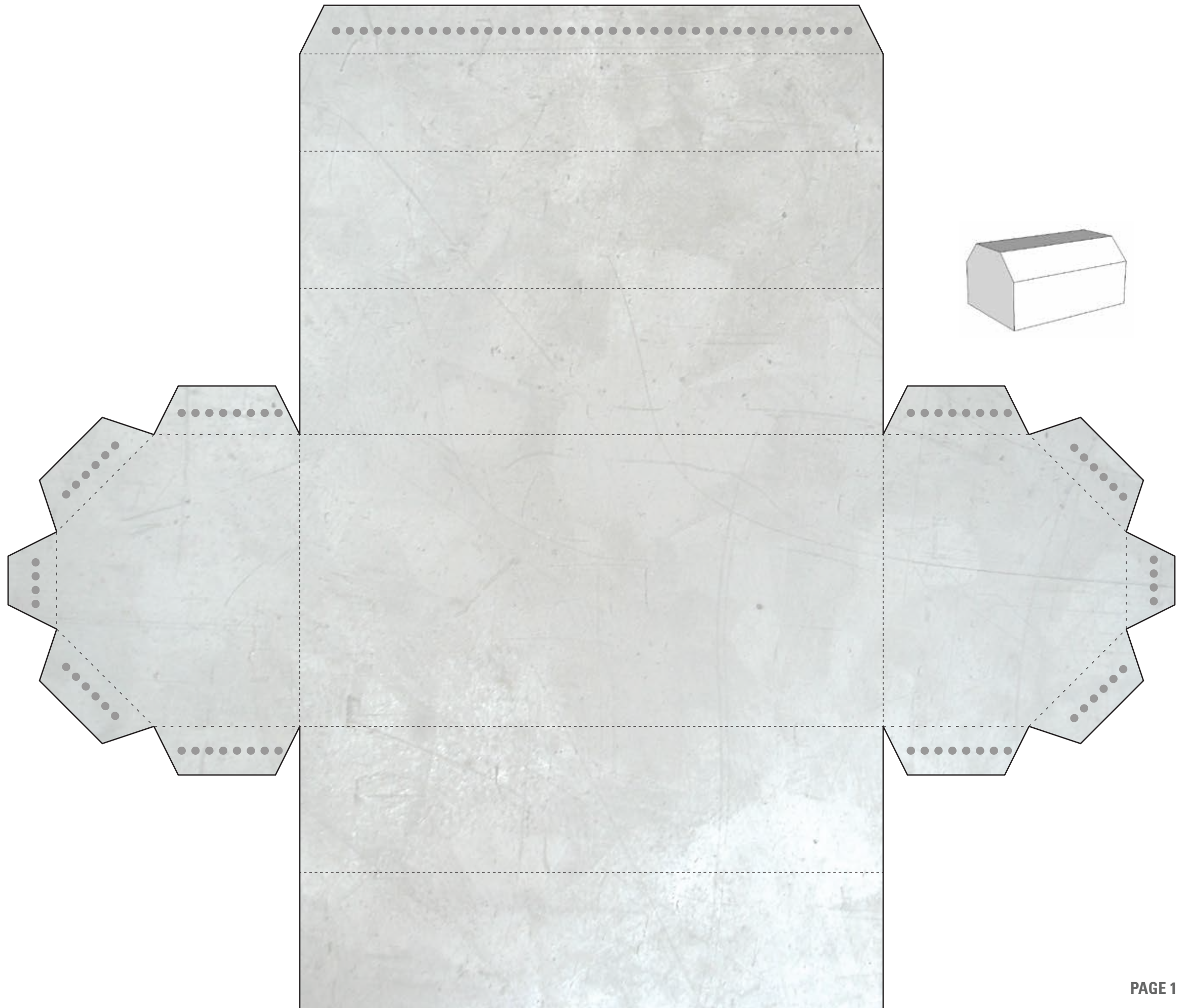
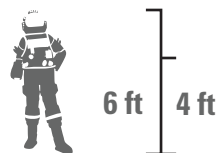
KEY	
CUT =	
FOLD =	
GLUE =	

DIRECTIONS

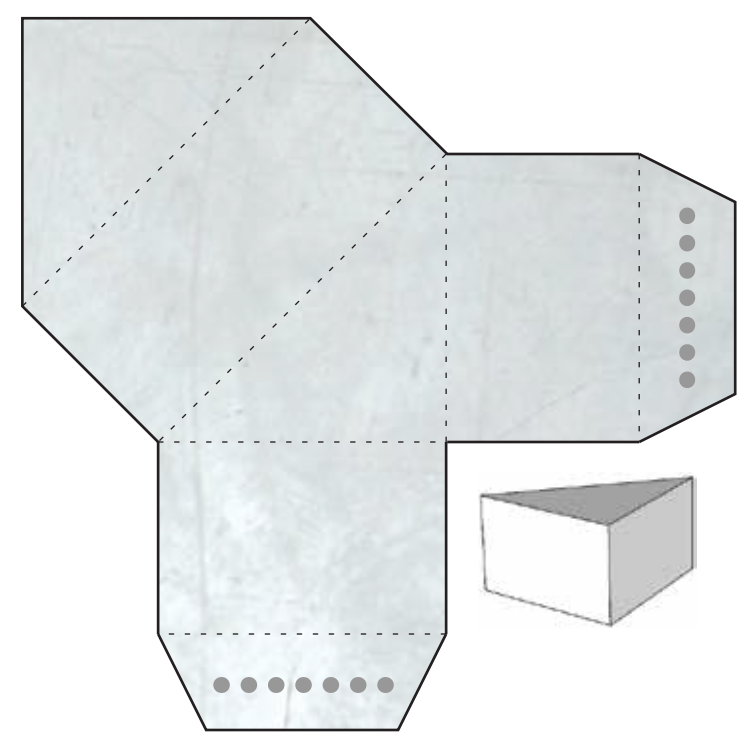
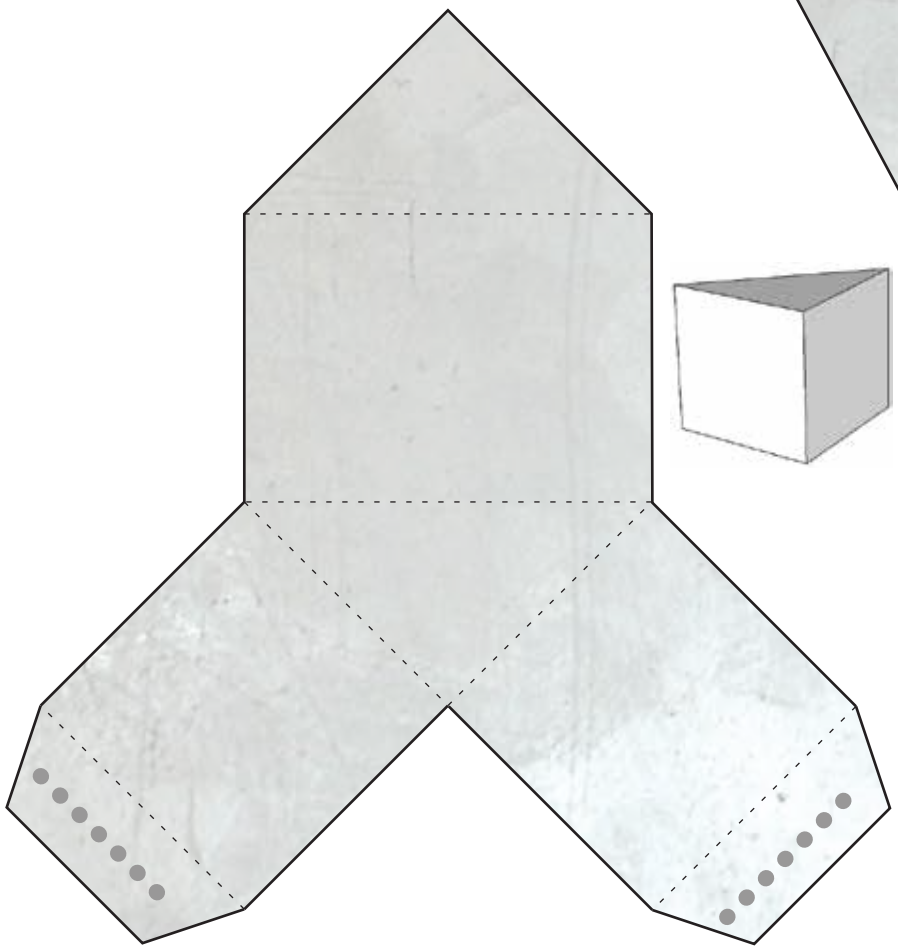
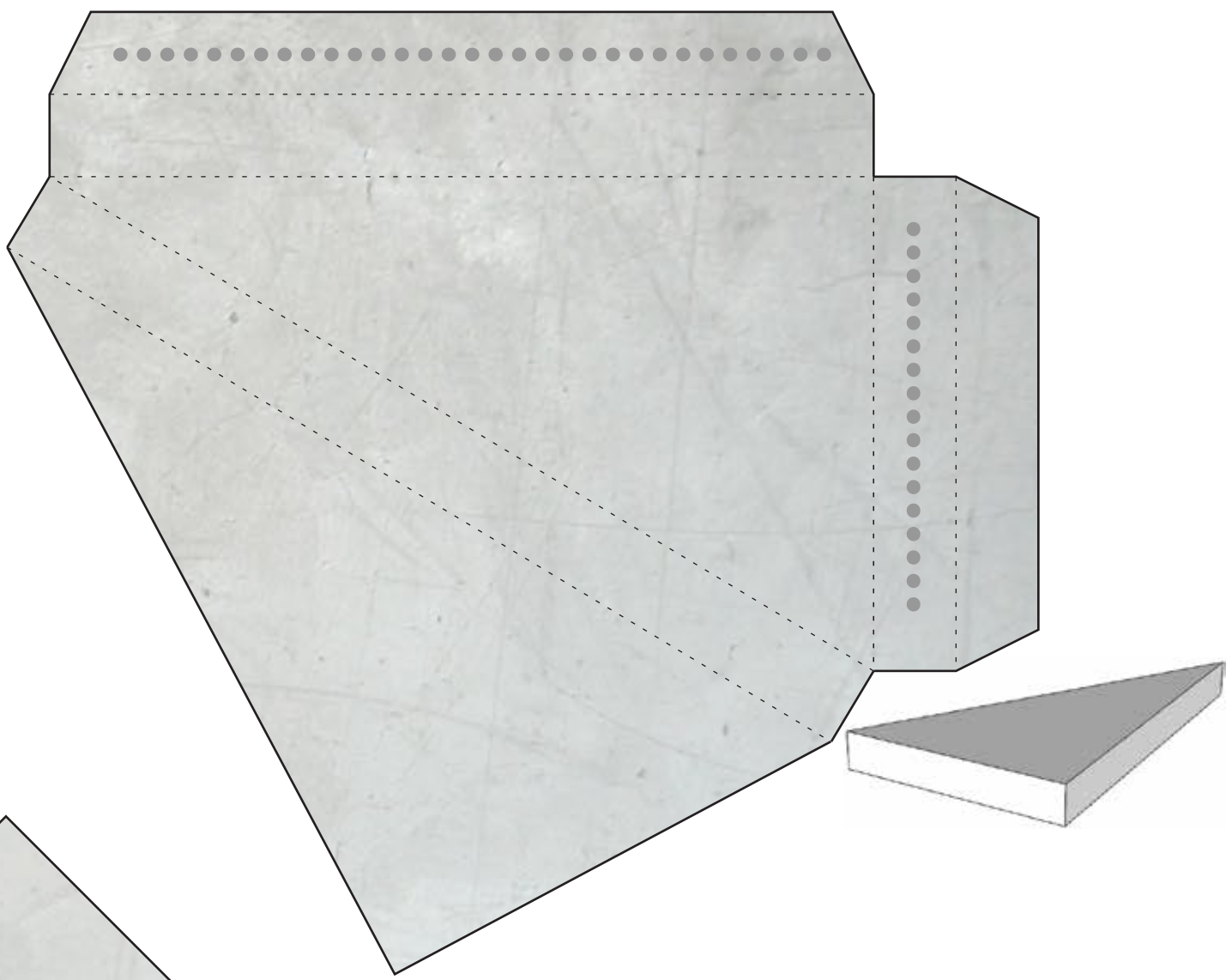
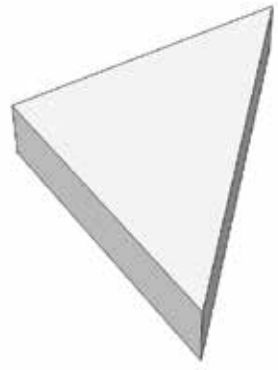
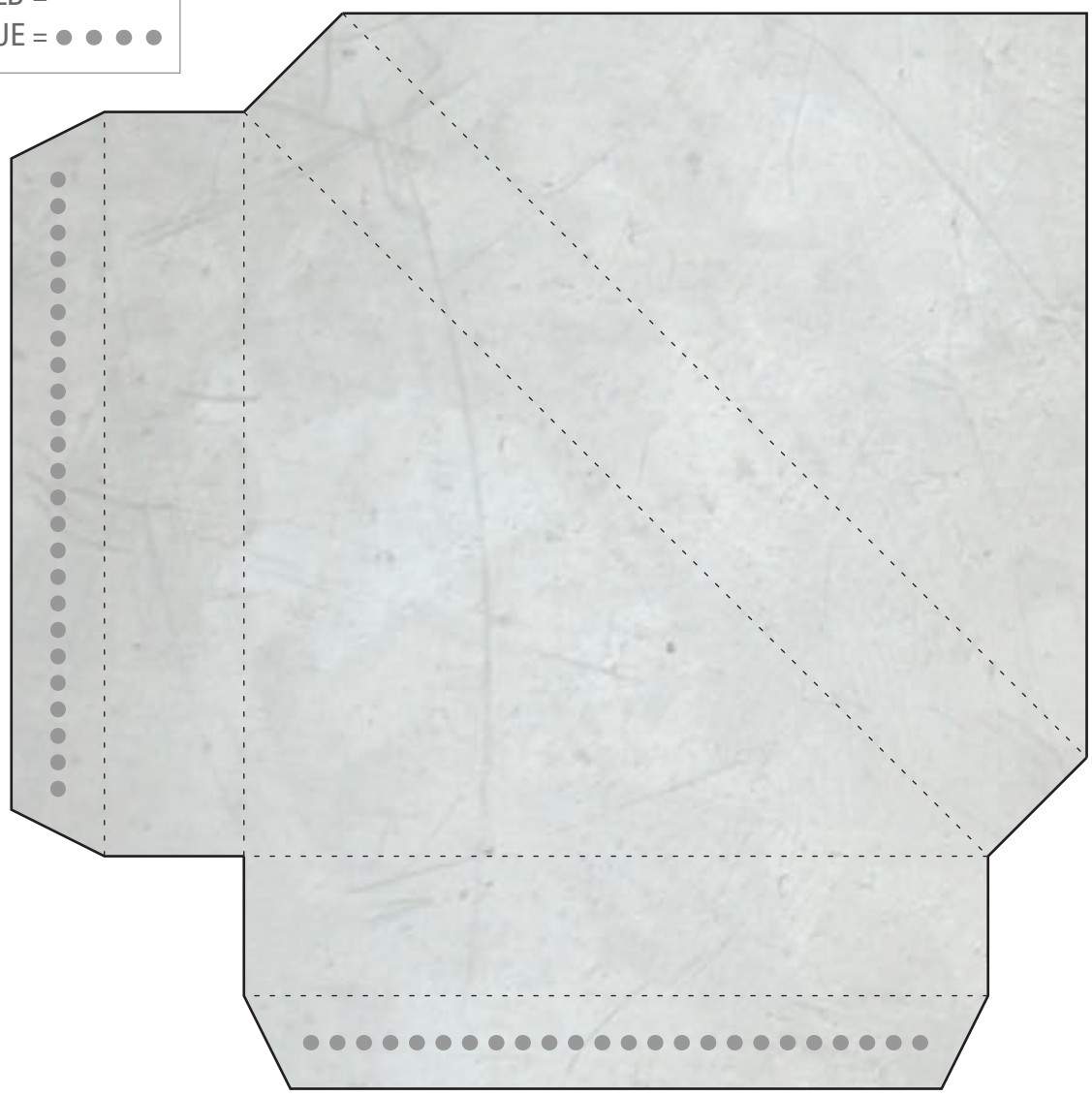
1. Figure out what shapes you want to use on your space shuttle by sketching.
2. Cut out the shape along the solid black line, then fold it along the dashed line. All of the folds should be folded the same direction.
3. Trace any shape you know you want more than 1 of on another sheet of paper.
4. Draw and color on the shapes.
4. Glue the shapes together once you're happy with them.

SCALE

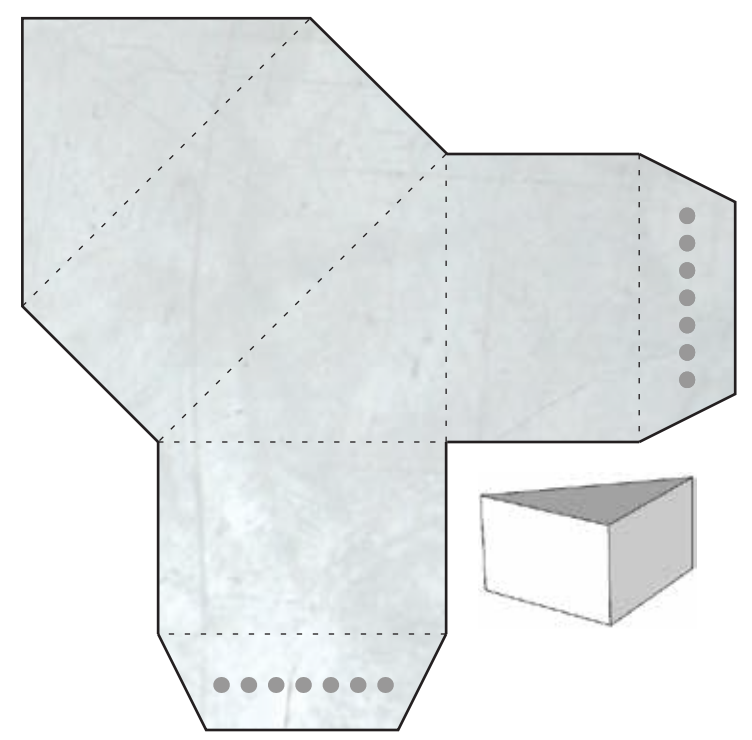
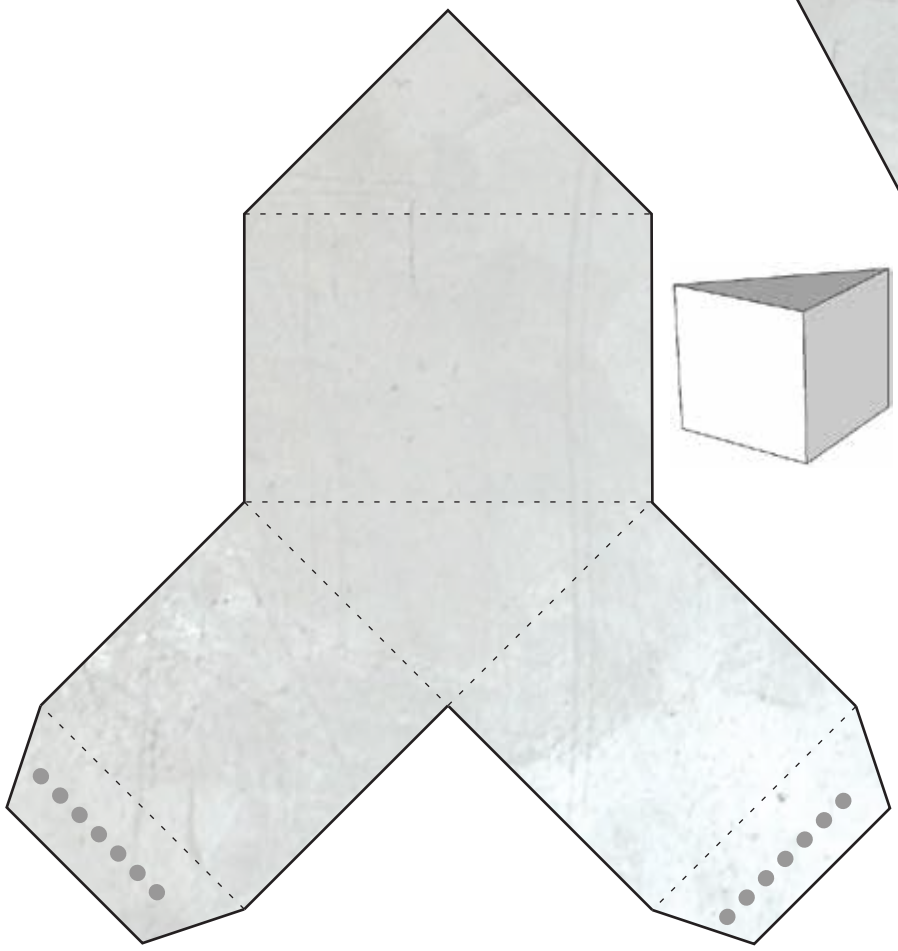
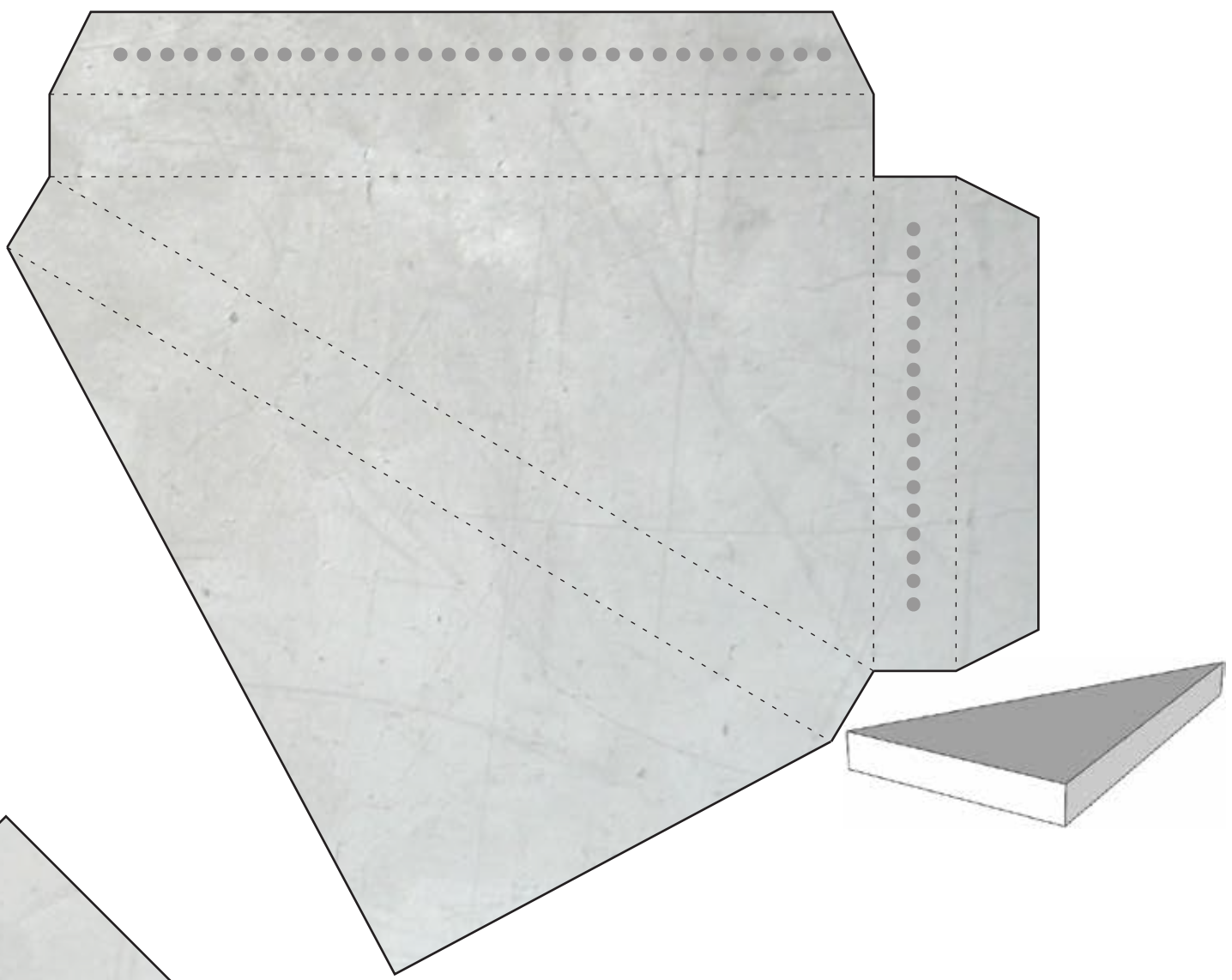
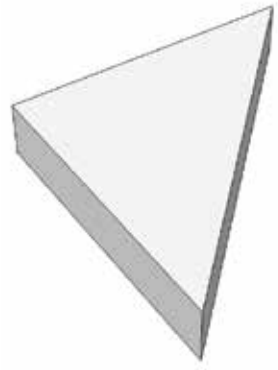
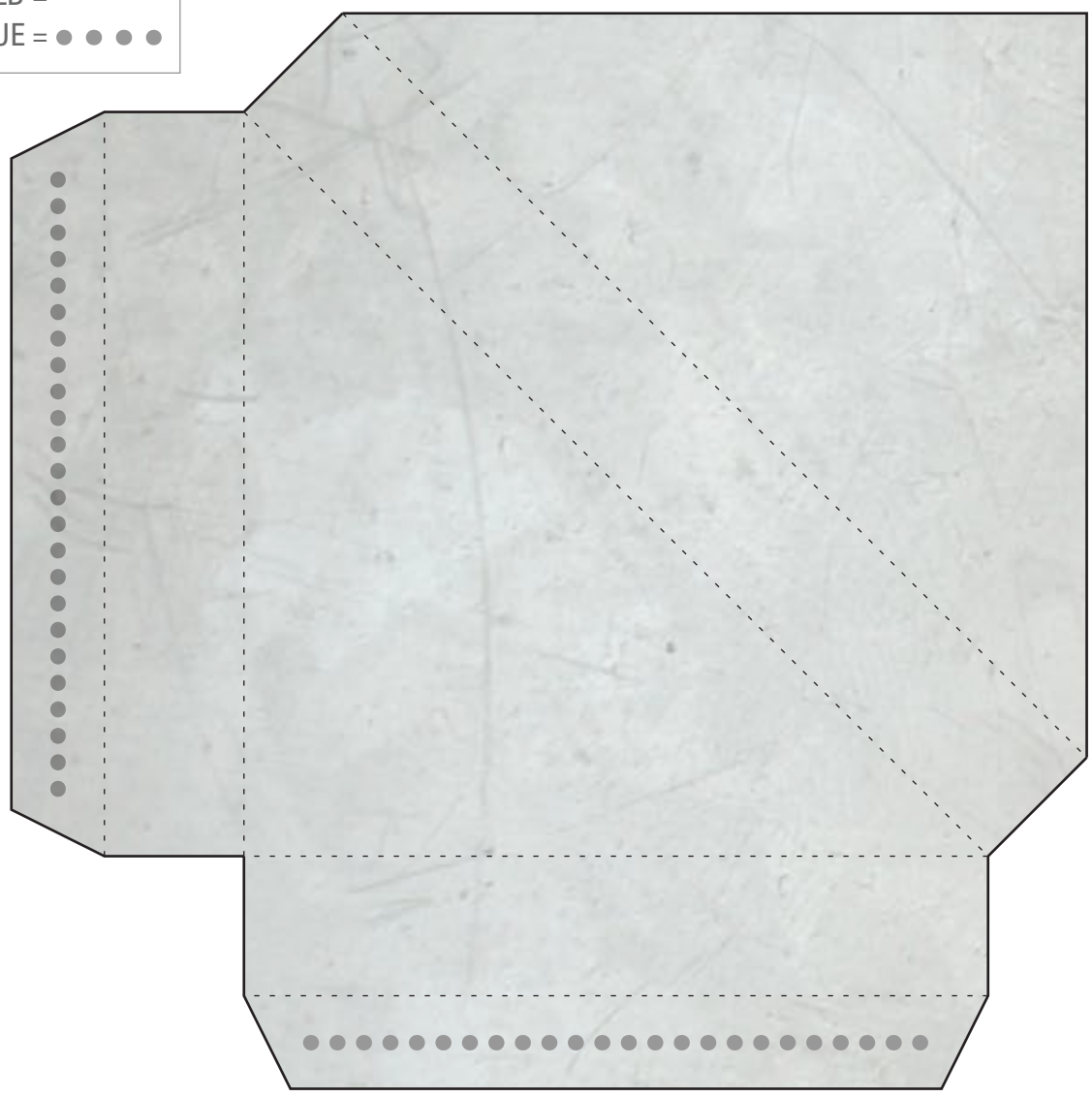
1/8 inch = 1 foot



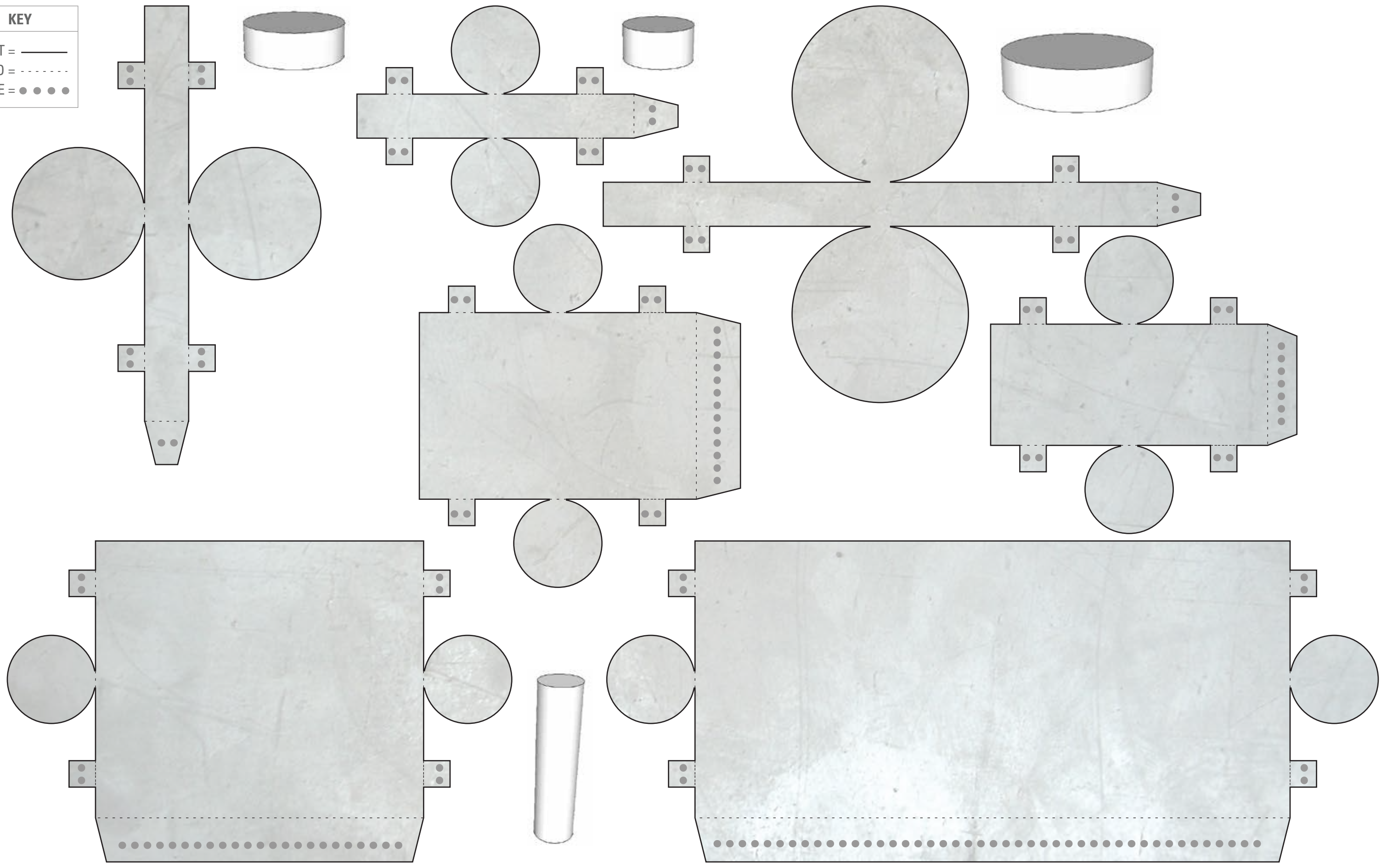
KEY	
CUT =	———
FOLD =	- - - - -
GLUE =	● ● ● ● ●



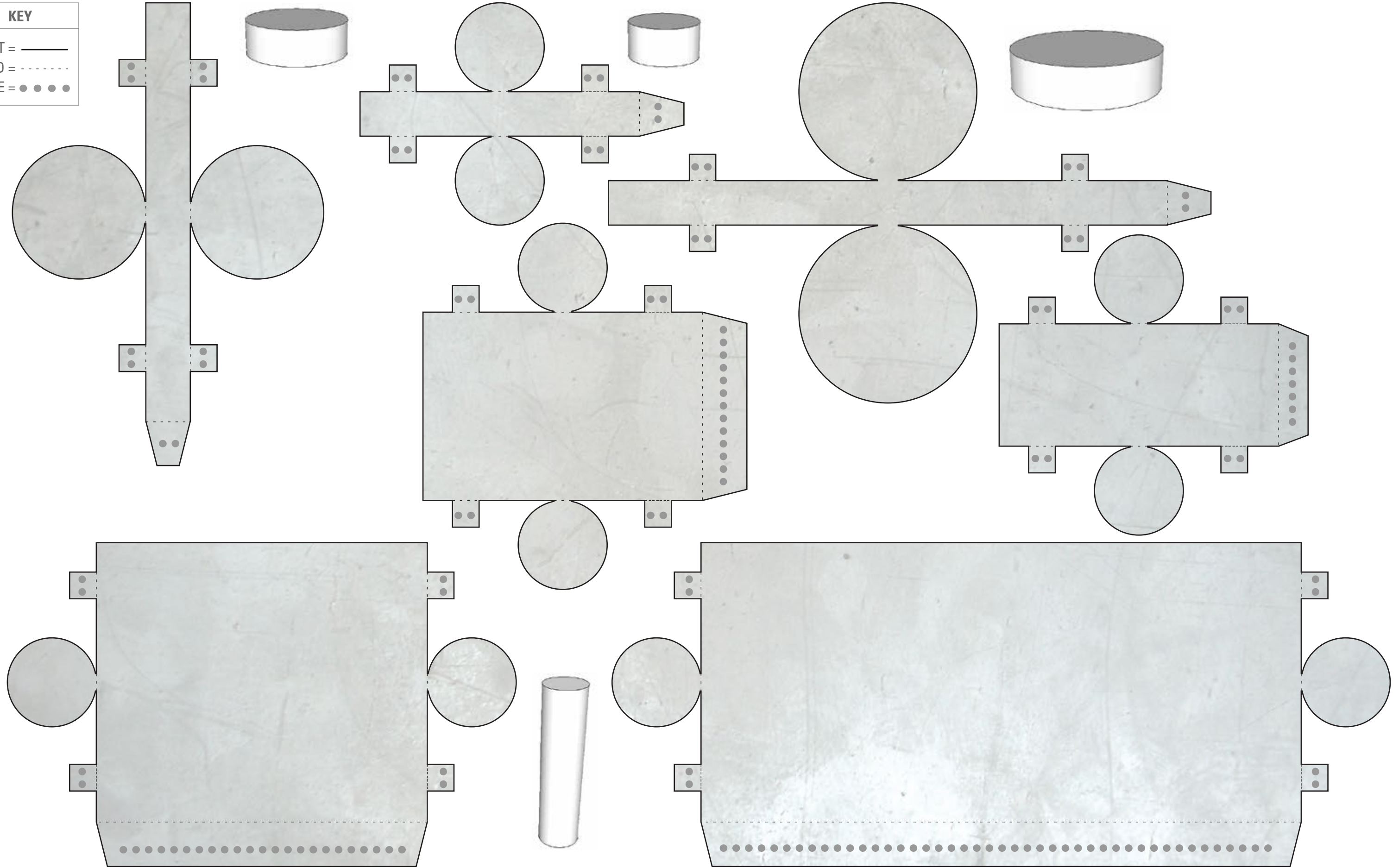
KEY	
CUT =	———
FOLD =	- - - - -
GLUE =	● ● ● ● ●



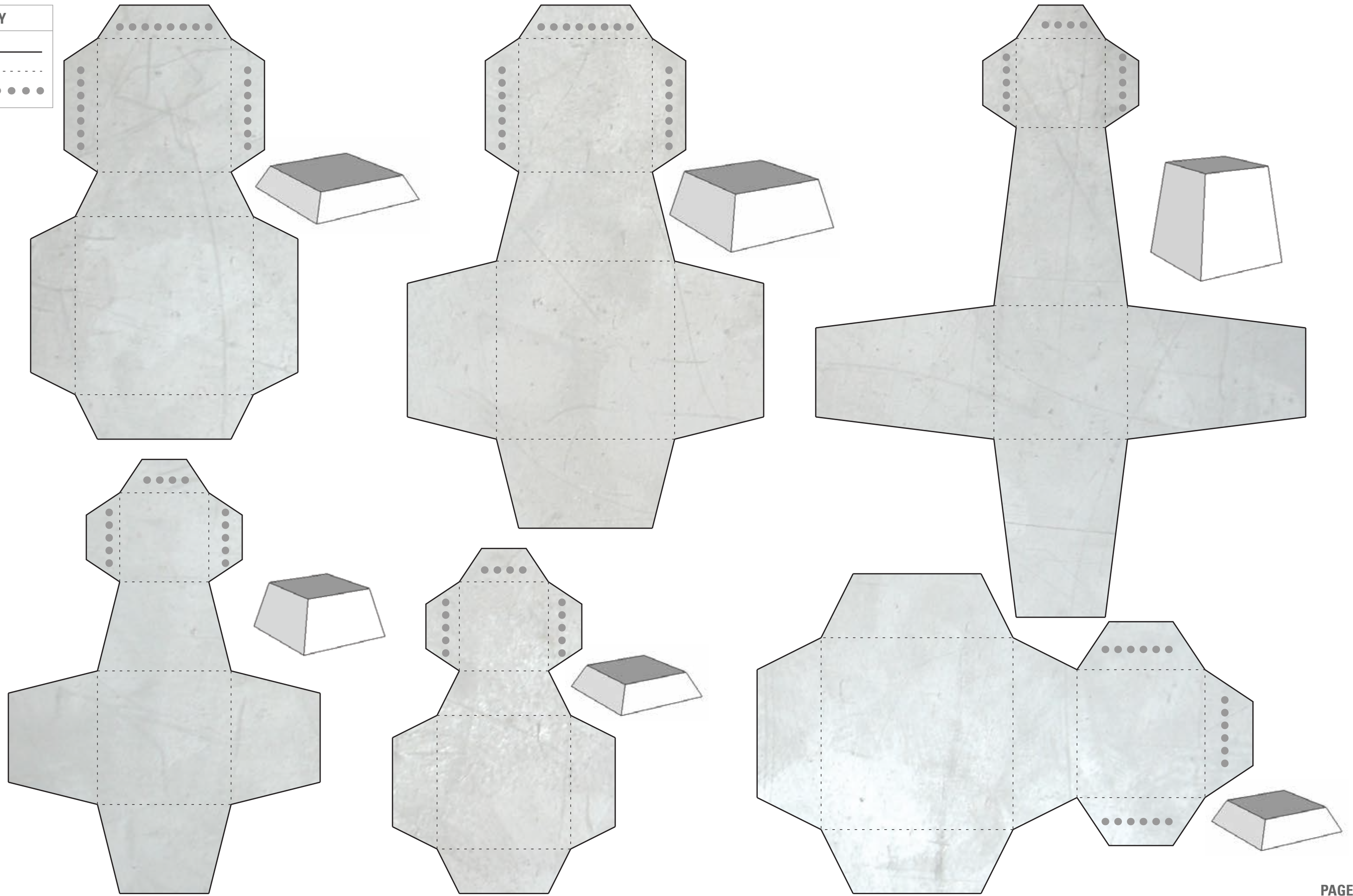
KEY	
CUT =	———
FOLD =	- - - - -
GLUE =	•••••



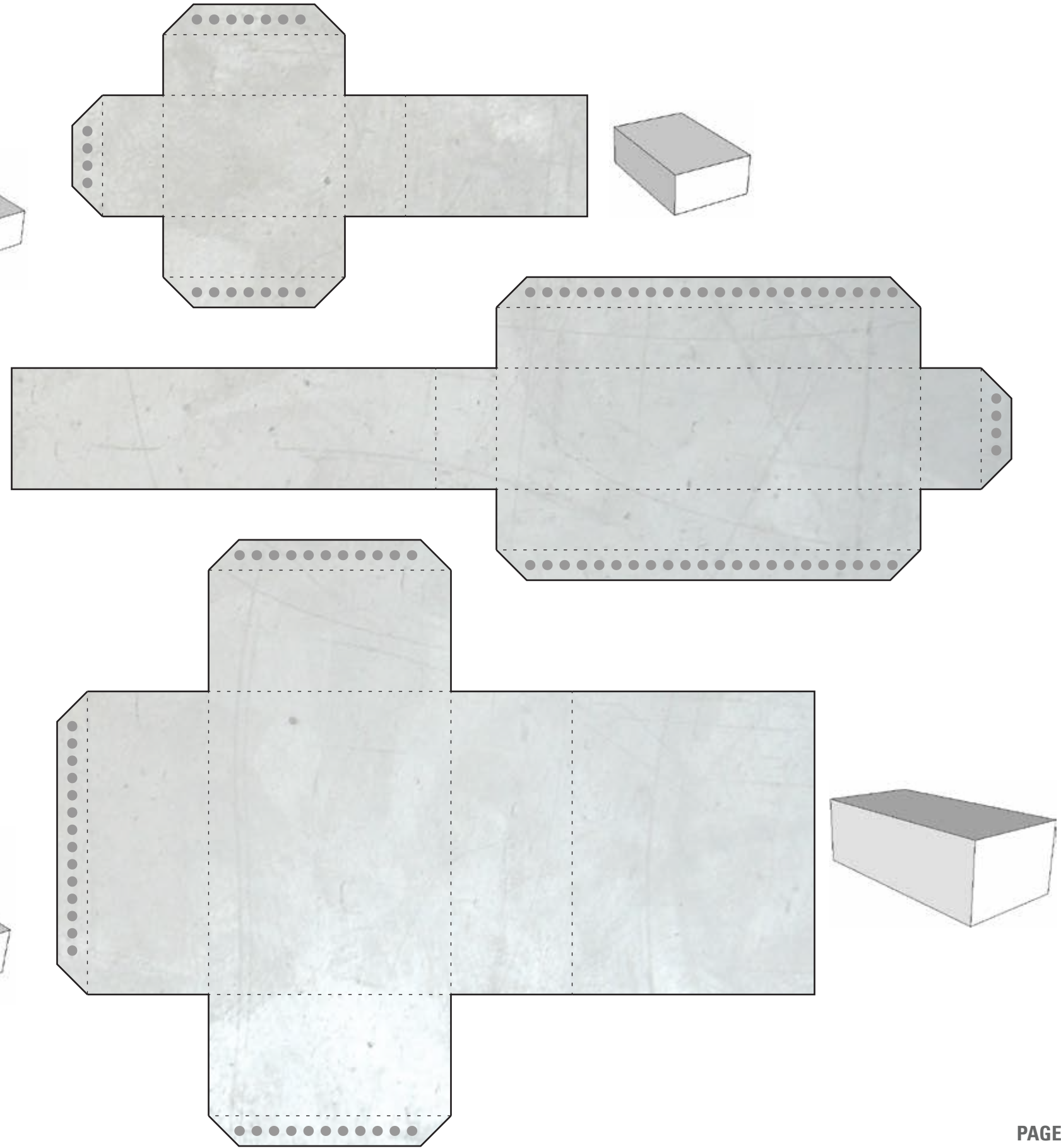
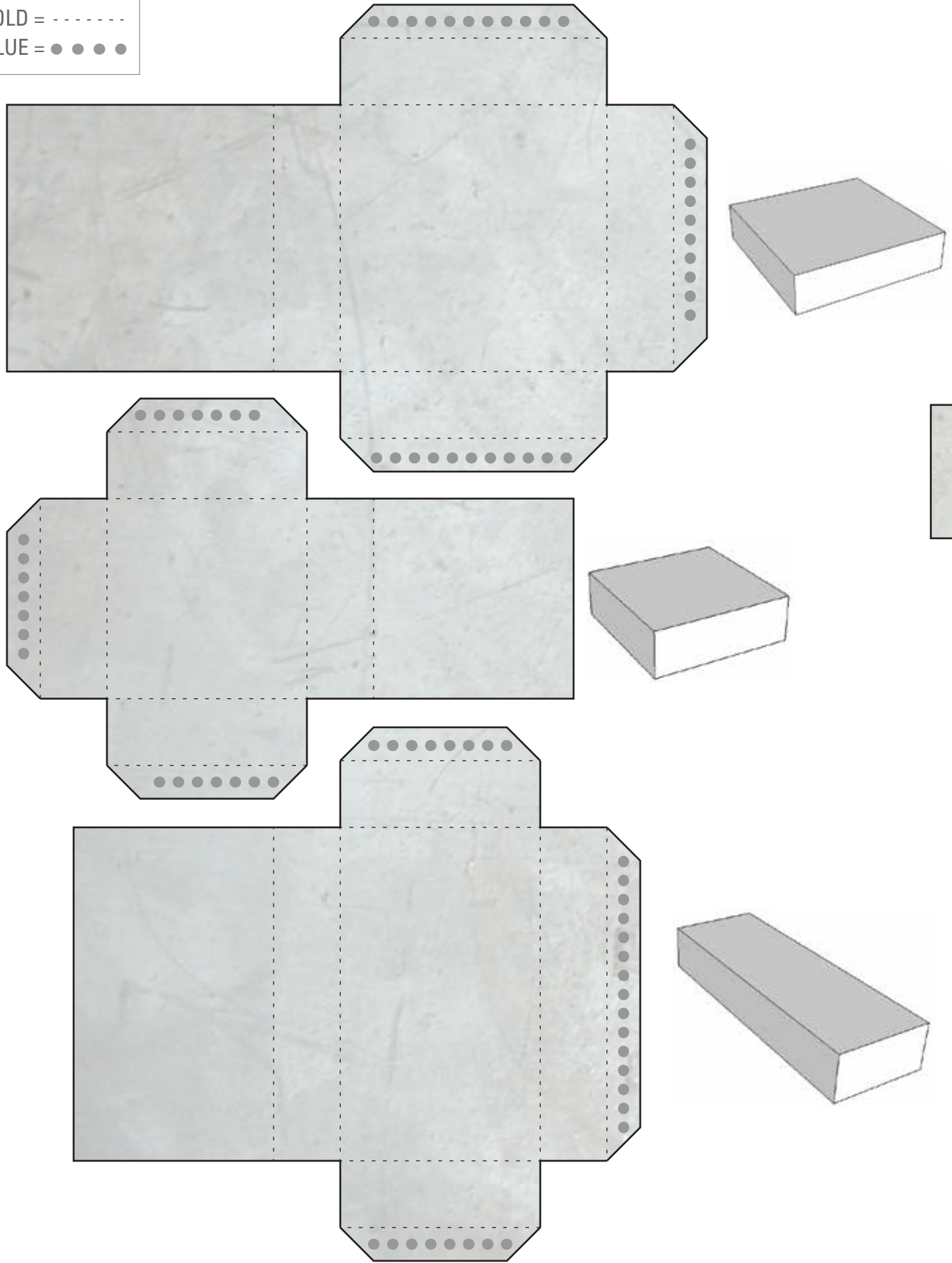
KEY	
CUT =	———
FOLD =	- - - - -
GLUE =	•••••



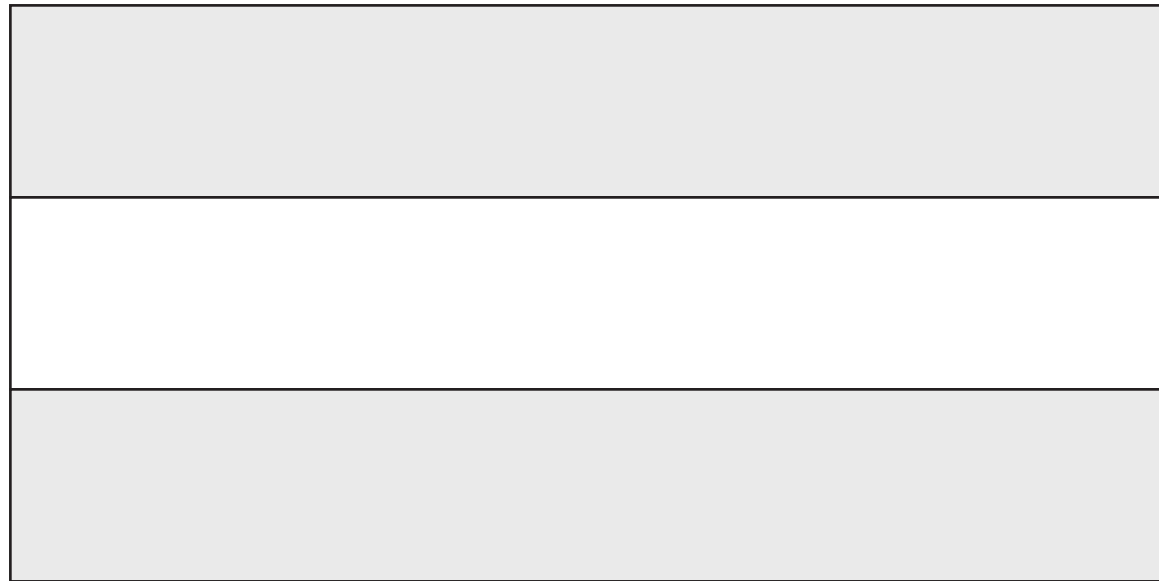
KEY	
CUT =	———
FOLD =	- - - - -
GLUE =	•••••



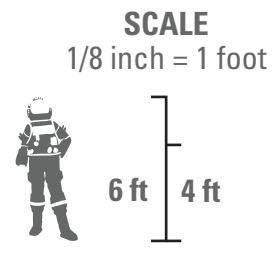
KEY	
CUT =	———
FOLD =	- - - - -
GLUE =	● ● ● ● ●



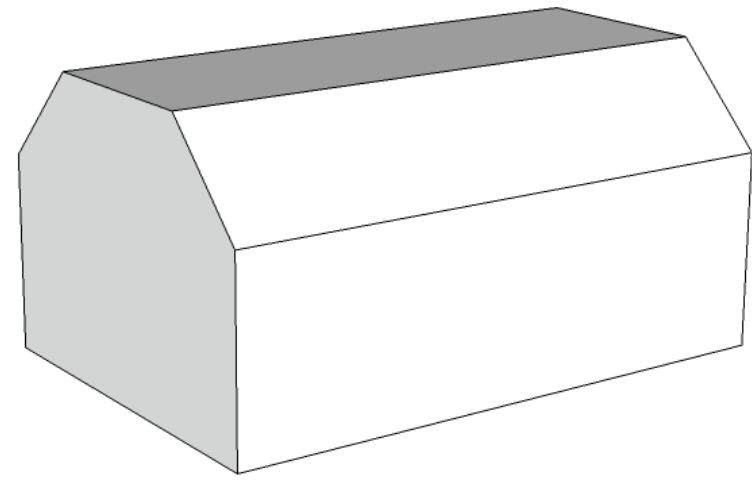
NAME _____



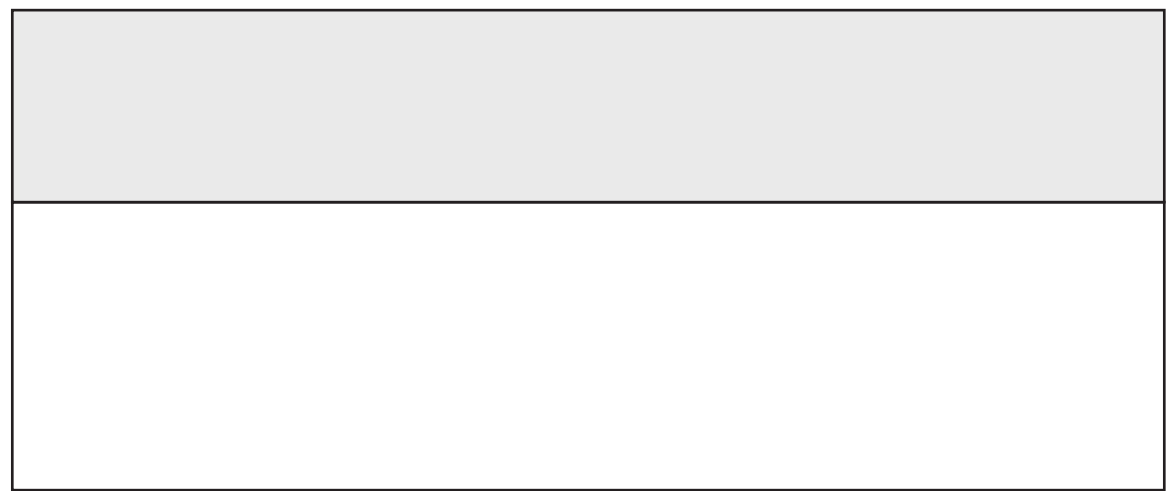
1 PLAN _____
1/8 inch = 1 foot Scale



SCALE
1/8 inch = 1 foot



2 PERSPECTIVE _____
Not to Scale



3 SIDE ELEVATION _____
1/8 inch = 1 foot Scale